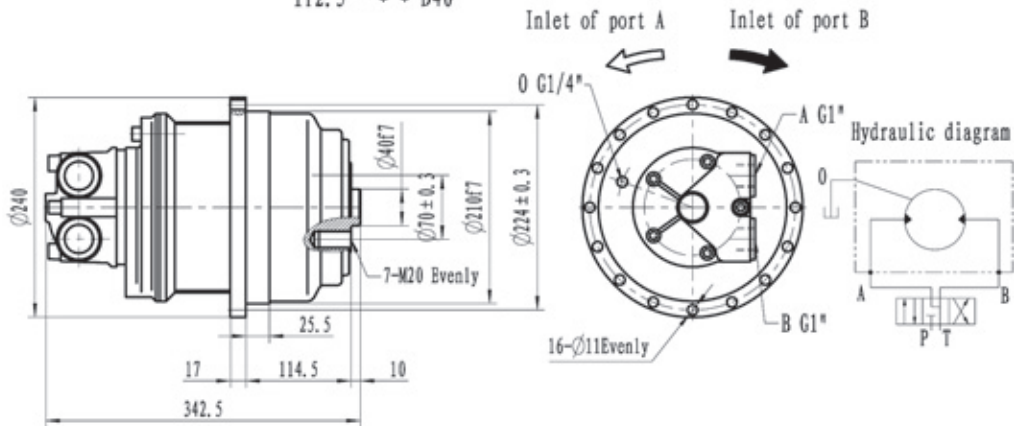


IY2.5 Hydraulic transmission drives series

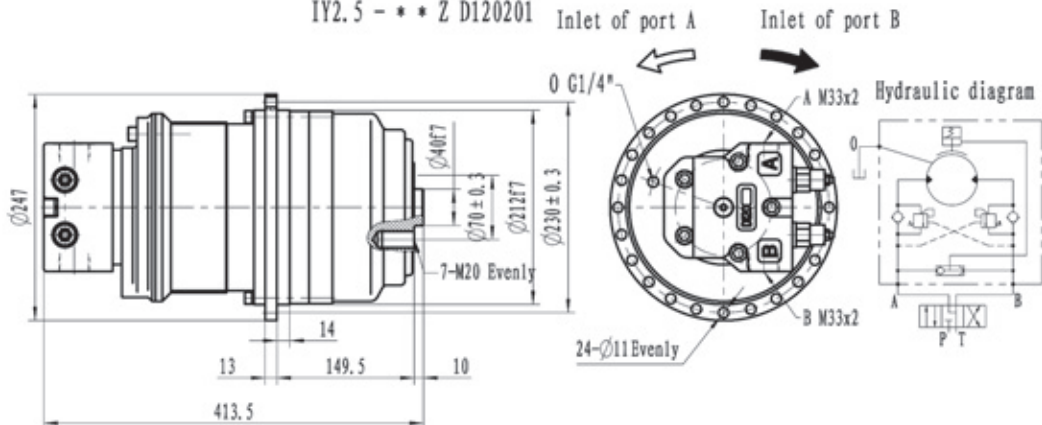
Model	Total displacement (ml/rev)	Rated torque (N.m)		Speed (r/min)	Motor model	Planetary gearbox	Brake	Optional distributor
		16 MPa	20 MPa					
IY2.5-520 ***	518	952	1224	1~100	INM05-75	C2.5(i=7)	Z05	D40, D120***
IY2.5-800 ***	805	1480	1903		INM05-110			
IY2.5-1050 ***	1057	1943	2500		INM05-150			
IY2.5-1330 ***	1337	2487	3200		INM05-200			D40, D240***

Note: Total displacement is determined by hydraulic motor displacement multiplies transmission ratio of planetary gearbox.  
 Rated torque is the output torque considering pressures lose of 2MPa and transmission efficiency when the system pressure is 16Mpa or 20Mpa.  
 Transmission efficiency includes mechanical and volumetric efficiency of hydraulic motor and mechanical efficiency of planetary gearbox. If the working pressure is higher than 16Mpa, please add a relief valve on the brake.

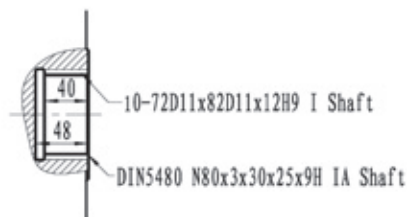
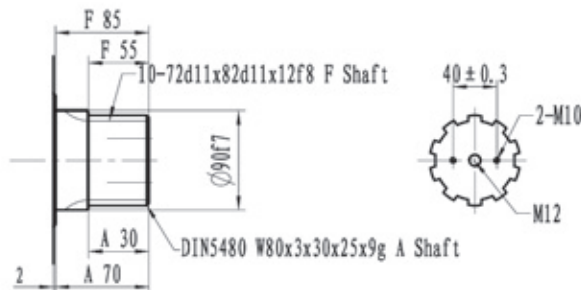
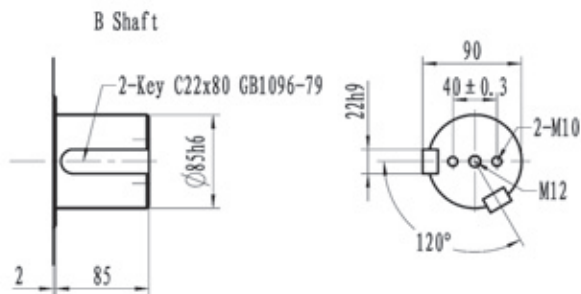
Without brake  
 IY2.5 - \* \* D40



With brake  
 IY2.5 - \* \* Z D120201



IY2.5 Series shaft dimensions:



Note: Please contact us if there are any requirements from customer