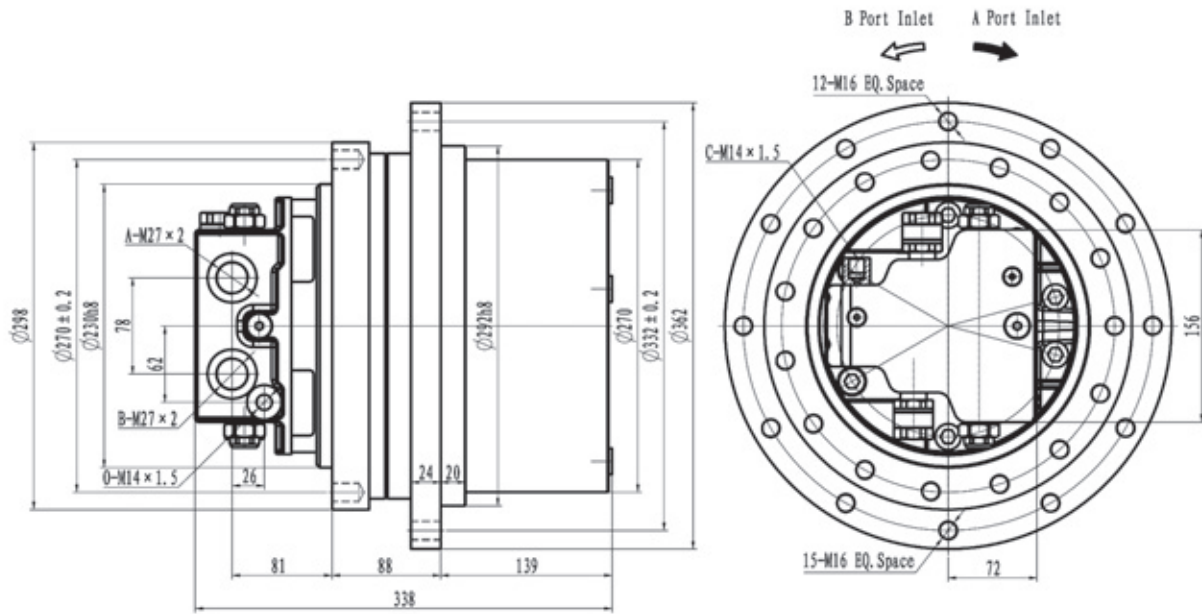


Dimensions



Specification

Max. Torque (N · m)	Speed (rpm)	Ratio	Max. Pressure (MPa)	Total Displacement (ml/r)	Motor Dispalcement (ml/r)	Weight (Kg)	Applicable Vehicle Weight (Ton)
12000	26/41	53	28	2809/1802	53/34	110	9-10

