

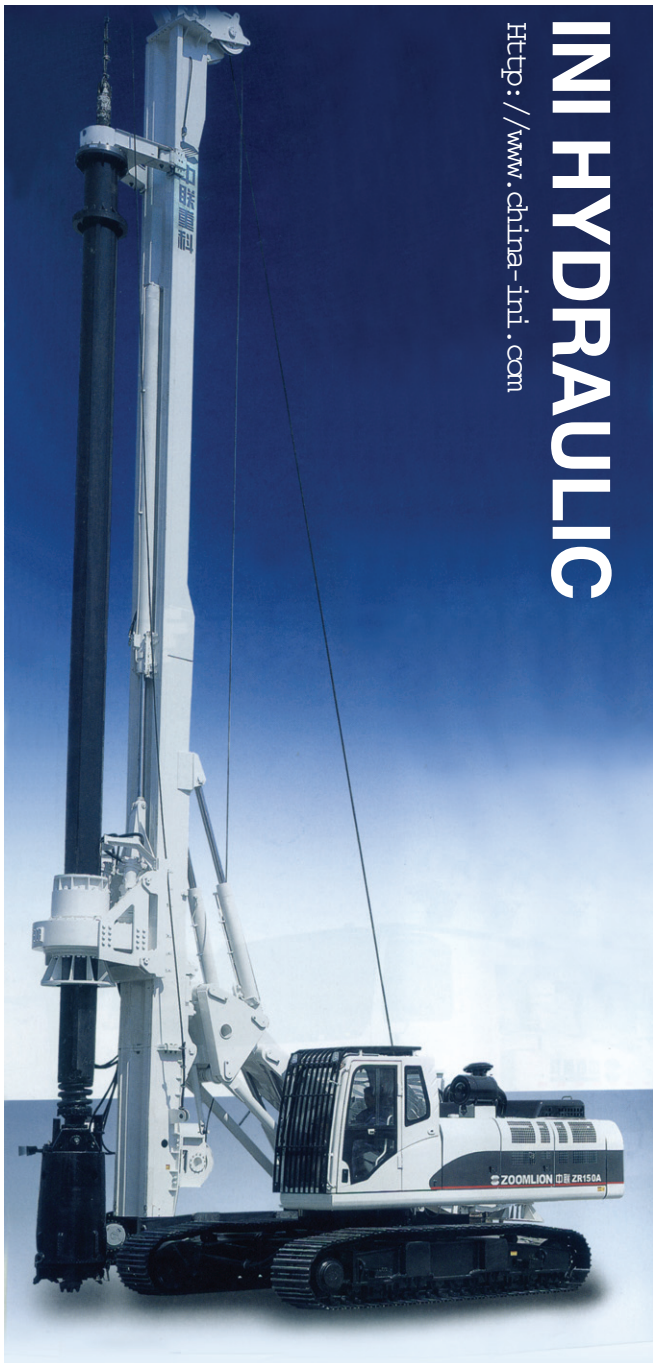
ini[®] NINGBO DAGANG INI
HYDRAULIC CO.,LTD.



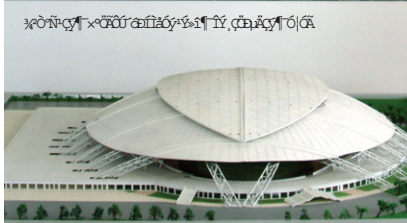
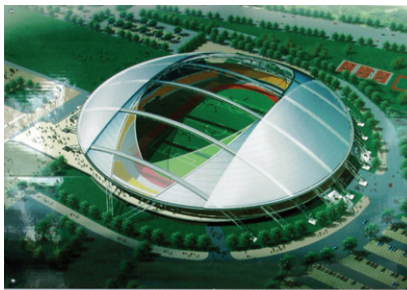
>>> [Http: //www.china-ini.com](http://www.china-ini.com)

2010 Catalogue

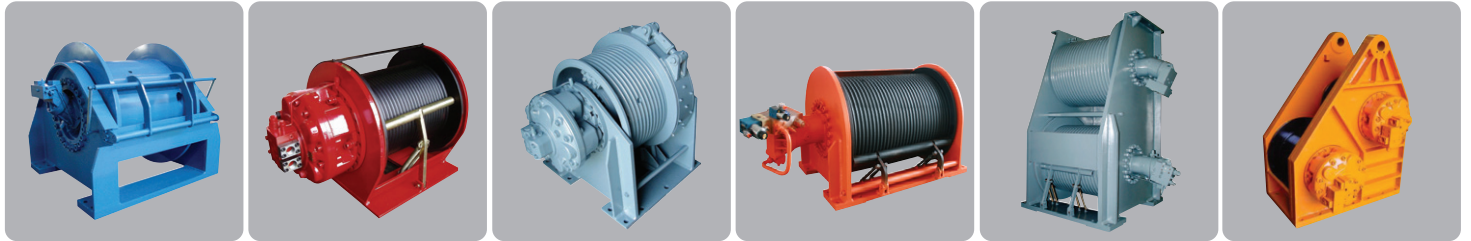
Product Shows & Applications



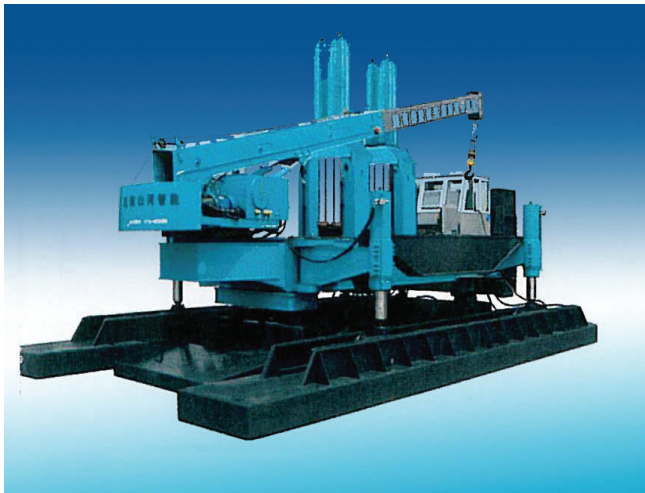
INI HYDRAULIC
[Http://www.china-ini.com](http://www.china-ini.com)



Product Shows & Applications



INI HYDRAULIC
[Http://www.china-ini.com](http://www.china-ini.com)





Brief Introduction



NINGBO DAGANG INI HYDRAULIC CO., LTD is situated in a state-level economic and technological development zone of BEILUN district, NINGBO. The factory covers almost 40,000 m², with 38,000 m² building area. The registered capital is 6,500,000 USD, and the total investment is 15,000,000 USD. Currently, the company is staffed with 400 employees, 20% among whom are professional technicians. The company has a strong R&D team, led by the general manager—a professorate senior engineer, who takes special allowance from State Council. The team also includes one doctor, two masters, senior engineers, engineers and engineer trainees, and two retired German experts from ZF GROUP as honor employees. They will come to the factory to help and give advices once a year. Up to now, the company owns eight invention patents and thirty practical innovation and figure patents. Several other patents are under reviewing. The company is specialized in manufacturing of electro-hydraulic proportional valves, hydraulic motors, hydrostatic drives, hydraulic winches, planetary gearboxes, high accuracy rotary flow dividers and the whole set of hydraulic system. These patent products are widely used in engineering machinery, petroleum, mining industry, geological exploration, ships, metallurgy, light industry, agriculture, landscape, environment and military industry. Now we are stepping into the international market, and our products are being exported to Southeast Asia, Middle East, Germany, USA, Netherlands, Turkey, India, Russia, Korea and other countries and regions around the world.

The company has more than 150 advanced manufacturing equipment, half of which were imported. 60% of all the machines are CNC, including three-dimension coordinate measuring machine, universal gear measuring machine, digital ultrasonic inspection machine, and universal tool microscope. A static hydrostatic drives lab and 12 factory test stands were established for product testing. The company passed ISO 9001 quality system certification, CCS certification and CE certification. The annual sales volume reaches 250 million RMB, with a production capacity of over 300 million RMB. The company was appraised as a state-level high-tech enterprise and is a patent pioneer enterprise.

4 Specification explanation

- 1) Total displacement is determined by hydraulic motor displacement multiplies transmission ratio of planetary gearbox.
- 2) Rated torque is the actual output torque considering pressures lose of 2MPa and transmission efficiency when the system pressure is 16Mpa or 20Mpa.
- 3) Transmission efficiency includes mechanical efficiency of hydraulic motor and planetary gearbox.

5 Selection instruction

- 1) IY series hydraulic transmission drives can run at high back pressure. The allowable back pressure is 10MPa under continuous working condition.
- 2) The maximum allowable pressure of casing is 0.1Mpa. If the back pressure at the system return line is higher than 0.1MPa, please specify it when place an order.
- 3) Hydraulic oil: It's recommended to use high quality mineral-based hydraulic oil, which is anti-wear, anti-foam and anti-oxidation. The ideal oil temperature is between 30°C and 50°C, and the allowable oil temperature is between -20°C and 80°C. If the temperature is higher than 60°C or lower than 10°C, please use low-freezing hydraulic oil. The oil viscosity is between 40cSt and 60cSt, and allowable viscosity is between 5cSt and 3000cSt. If customer chooses water-based emulsified liquid as medium, please contact us for right products.
- 4) It is recommended to use hydraulic oil with a filter rating of 25 μ m or even higher.
- 5) The hydraulic transmission drives are bi-directional. See attached drawings for more information. Reverse direction is available if customers request so when place an order.
- 6) Positioning of drain line. IY hydraulic transmission drives can be installed in any direction. To ensure the smooth movement of kinematic pairs in the hydraulic motor, please fill the motor casing with hydraulic oil. The oil drain port must be positioned in such a way that there is always sufficient hydraulic oil in the motor casing. If the output shaft is pointing downward, please add a check valve of 0.5bar at the oil drain port.
- 7) Selection of distributors: Customers can choose different types of distributors for the hydraulic transmission drive based on different working conditions. Please take into consideration working pressure, speed, flow, connection type and function of integral valve block when select distributors.
Installation of distributors: The direction of oil port can rotate by every 72 ° . Please take care not to damage the O ring when screw out the bolts.
- 8) If customers require over power operation, please contact us. We can greatly improve the performance of the product and transmission power by giving special treatment to the material and surface of moving parts inside planetary gearbox.
- 9) If customers want to order hydraulic swing drives, please contact us.

Please note:

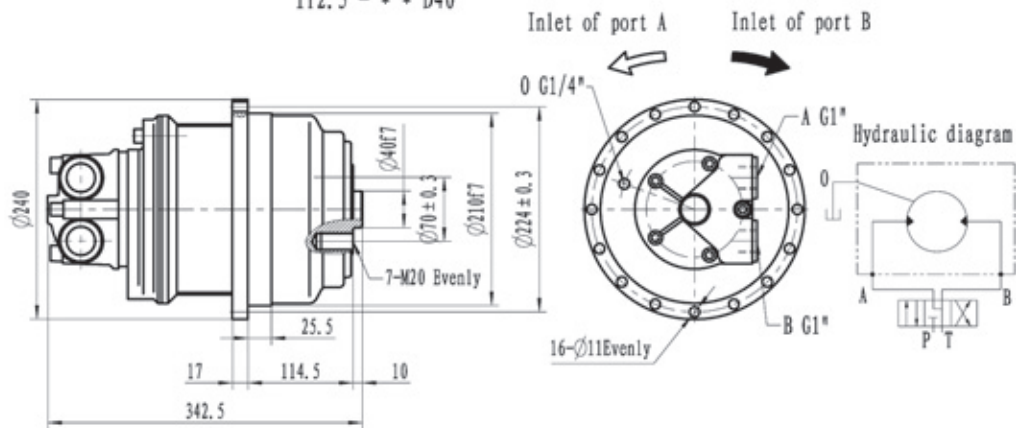
- 1) Total displacement is determined by hydraulic motor displacement multiplies transmission ratio of planetary gearbox.
- 2) Rated torque is the actual output torque considering pressures lose of 2MPa and transmission efficiency when the system pressure is 16Mpa or 20Mpa.
- 3) Transmission efficiency includes mechanical and volumetric efficiency of hydraulic motor and mechanical efficiency of planetary gearbox. If the working pressure is higher than 16Mpa, please add a relief valve on the brake.

IY2.5 Hydraulic transmission drives series

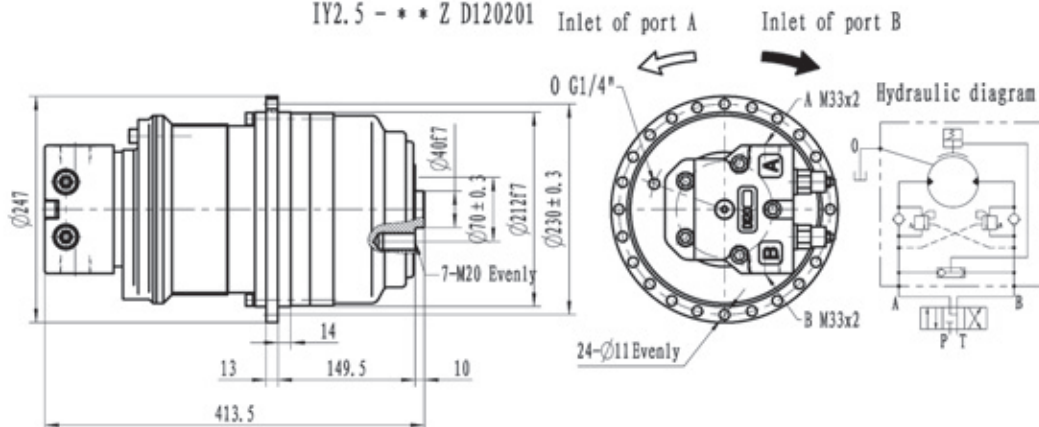
Model	Total displacement (ml/rev)	Rated torque (N.m)		Speed (r/min)	Motor model	Planetary gearbox	Brake	Optional distributor
		16 MPa	20 MPa					
IY2.5-520 ***	518	952	1224	1~100	INM05-75	C2.5(i=7)	Z05	D40, D120***
IY2.5-800 ***	805	1480	1903		INM05-110			
IY2.5-1050 ***	1057	1943	2500		INM05-150			
IY2.5-1330 ***	1337	2487	3200		INM05-200			D40, D240***

Note: Total displacement is determined by hydraulic motor displacement multiplies transmission ratio of planetary gearbox.
 Rated torque is the output torque considering pressures lose of 2MPa and transmission efficiency when the system pressure is 16MPa or 20MPa.
 Transmission efficiency includes mechanical and volumetric efficiency of hydraulic motor and mechanical efficiency of planetary gearbox. If the working pressure is higher than 16MPa, please add a relief valve on the brake.

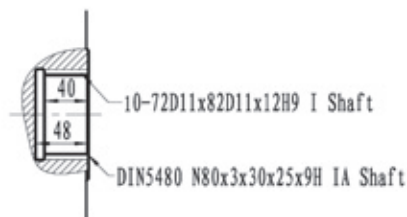
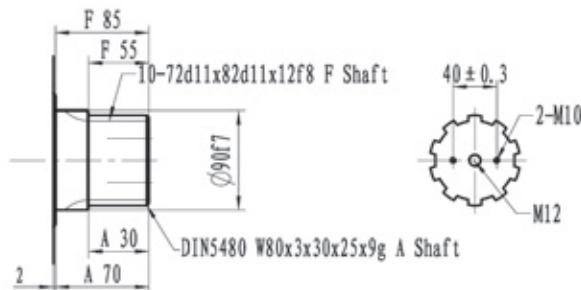
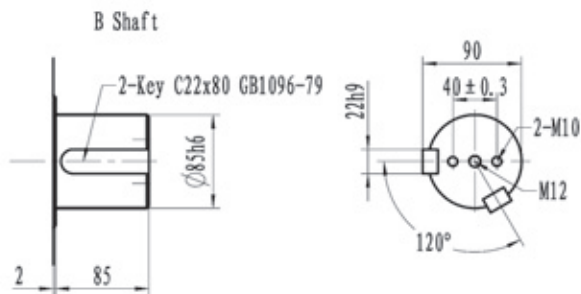
Without brake
 IY2.5 - * * D40



With brake
 IY2.5 - * * Z D120201



IY2.5 Series shaft dimensions:

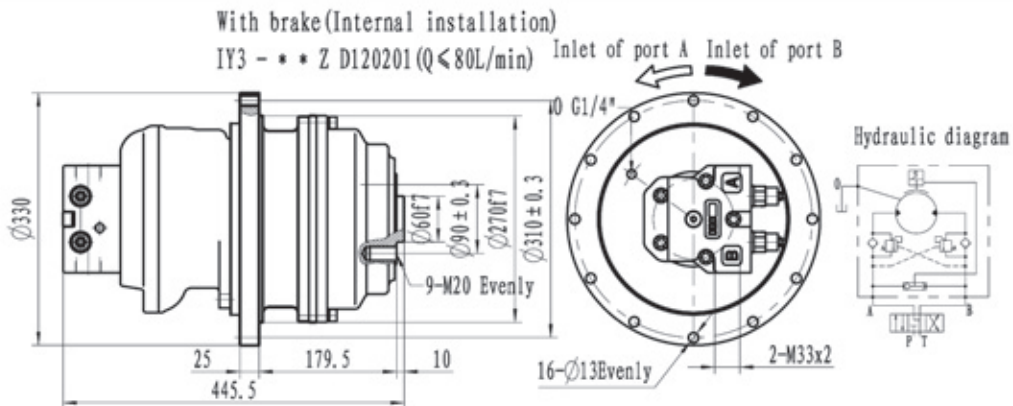
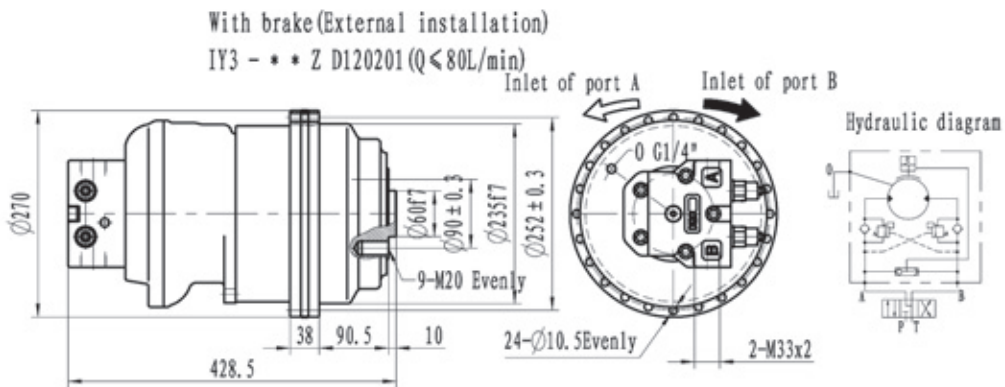
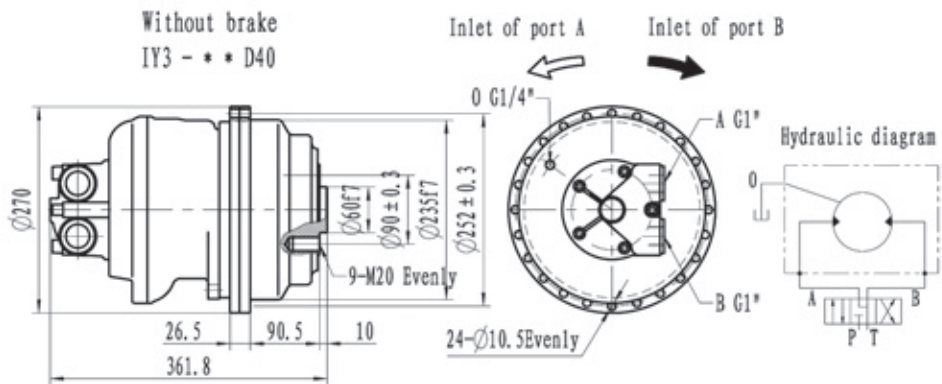


Note: Please contact us if there are any requirements from customer

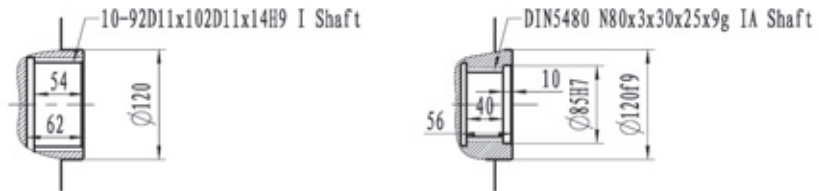
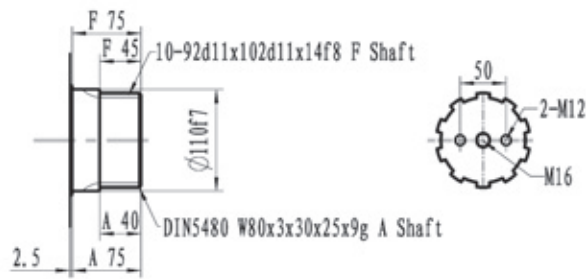
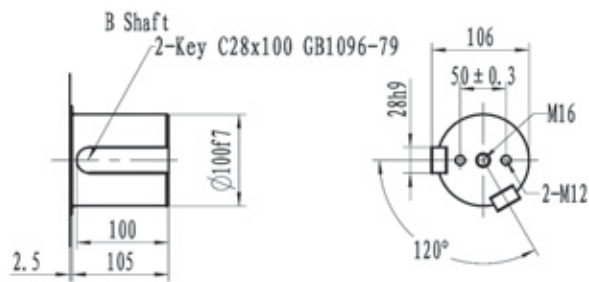
IY3 Hydraulic transmission drives series

Model	Total displacement (ml/rev)	Rated torque (N.m)		Speed (r/min)	Motor model	Planetary gearbox	Brake	Optional distributor
		16 MPa	20 MPa					
IY3-700 ***	693	1358	1747	1-80	INM1-100	C3 (i=7)	Z13	D40, D47, D120***
IY3-1000 ***	1078	2113	2717		INM1-150			
IY3-1700 ***	1701	3273	4028		INM1-250			
IY3-2200 ***	2198	4229	5437		INM1-320			

Note: Total displacement is determined by hydraulic motor displacement multiplies transmission ratio of planetary gearbox.
 Rated torque is the output torque considering pressures lose of 2MPa and transmission efficiency when the system pressure is 16Mpa or 20Mpa.
 Transmission efficiency includes mechanical and volumetric efficiency of hydraulic motor and mechanical efficiency of planetary gearbox. If the working pressure is higher than 16Mpa, please add a relief valve on the brake.



IY3 Series shaft dimensions:

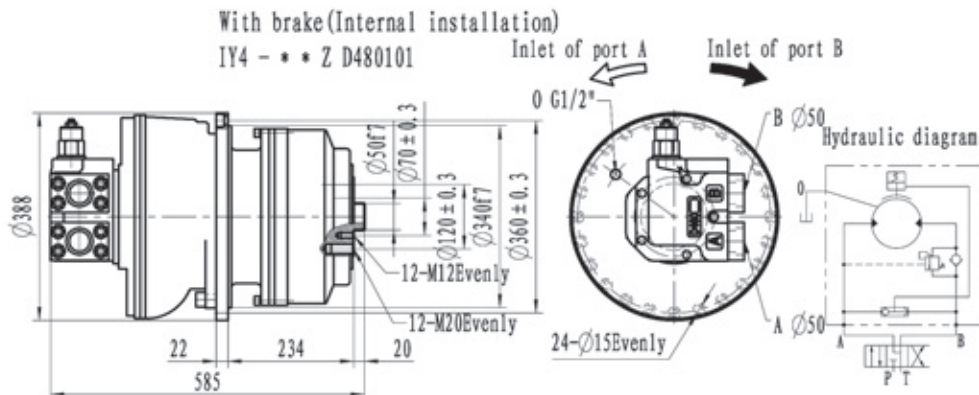
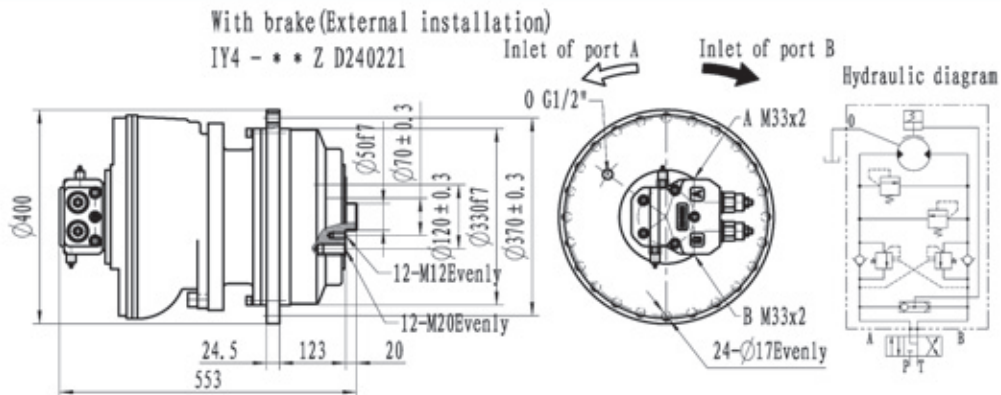
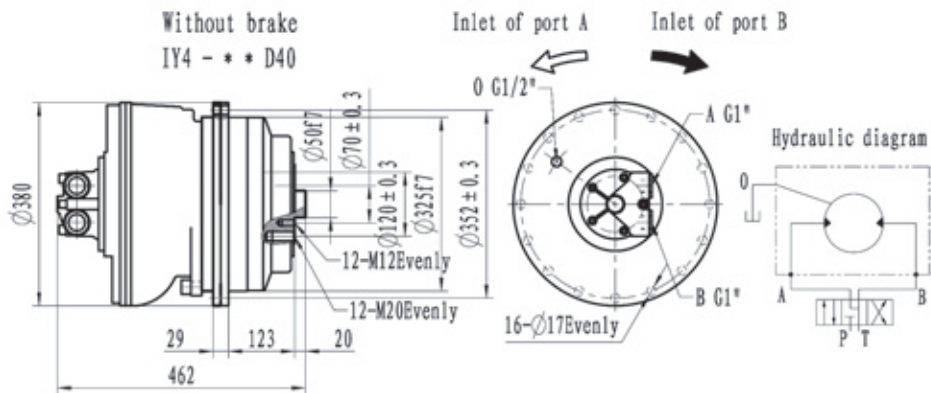


Note: Please contact us if there are any requirements from customer

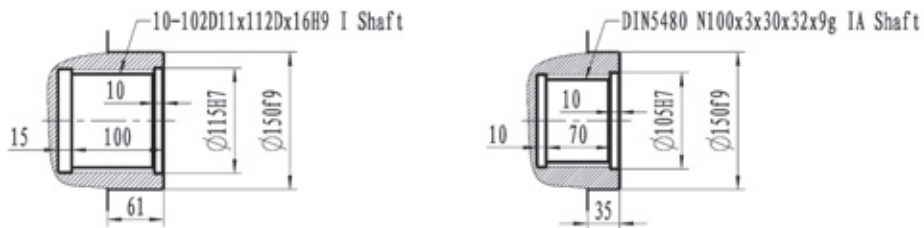
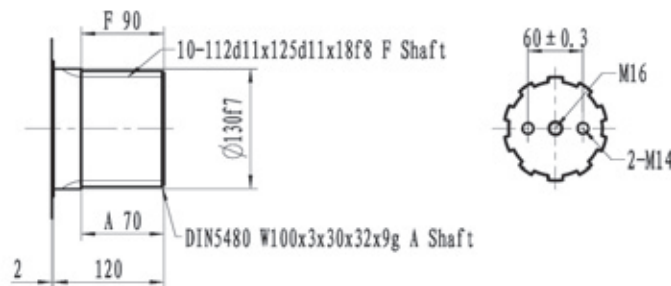
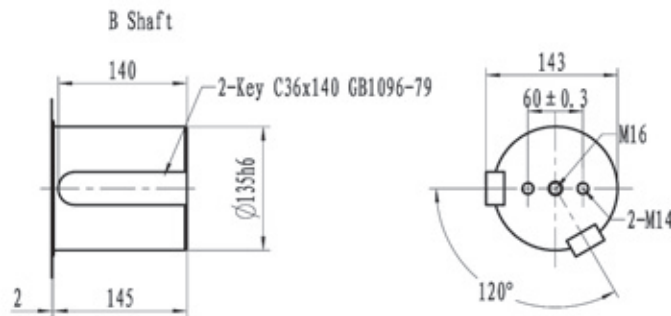
IY4 Hydraulic transmission drives series

Model	Total displacement (ml/rev)	Rated torque (N.m)		Speed(r/min)	Motor model	Planetary gearbox	Brake	Optional distributor
		16 MPa	20 MPa					
IY4-3400 ***	3402	6640	8537	1~70	INM3-500	C4(i=7)	234	D40, D47, D90, D120***, D240***, D480***
IY4-4160 ***	4165	8014	10303	1~60	INM3-600			
IY4-4800 ***	4830	9293	11949	1~50	INM3-700			
IY4-5500 ***	5544	10667	13715	1~40	INM3-800			

Note: Total displacement is determined by hydraulic motor displacement multiplies transmission ratio of planetary gearbox.
 Rated torque is the output torque considering pressures lose of 2MPa and transmission efficiency when the system pressure is 16Mpa or 20Mpa.
 Transmission efficiency includes mechanical and volumetric efficiency of hydraulic motor and mechanical efficiency of planetary gearbox. If the working pressure is higher than 16Mpa, please add a relief valve on the brake.



IY4 Series shaft dimensions:

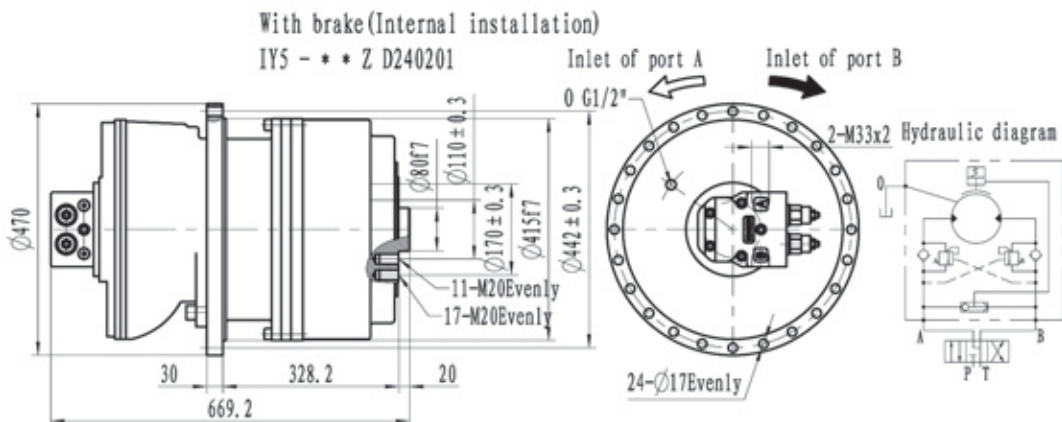
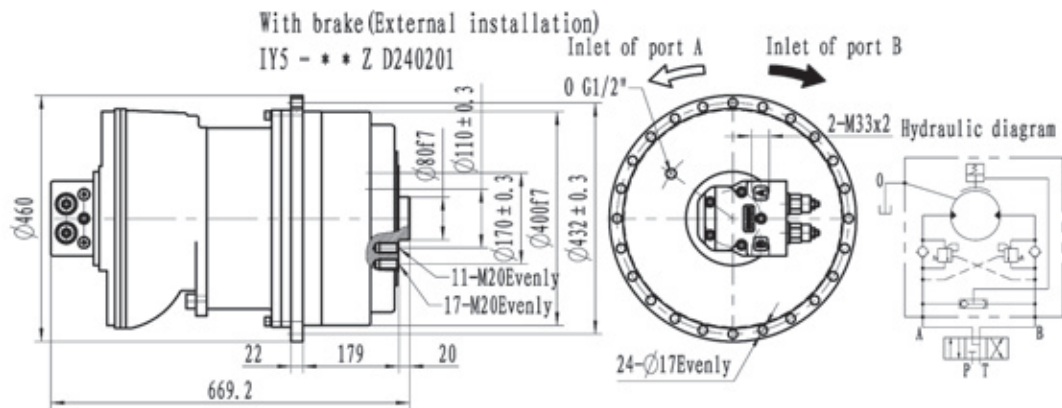
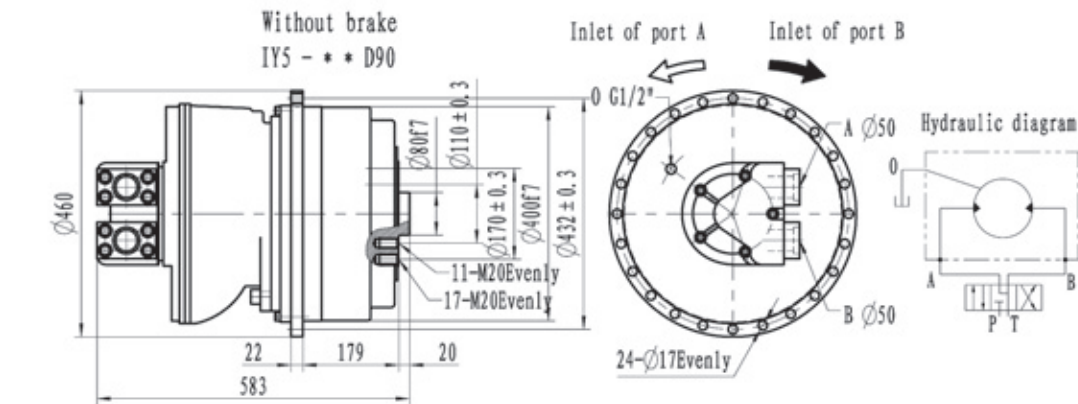


Note: Please contact us if there are any requirements from customer

IY5 Hydraulic transmission drives series

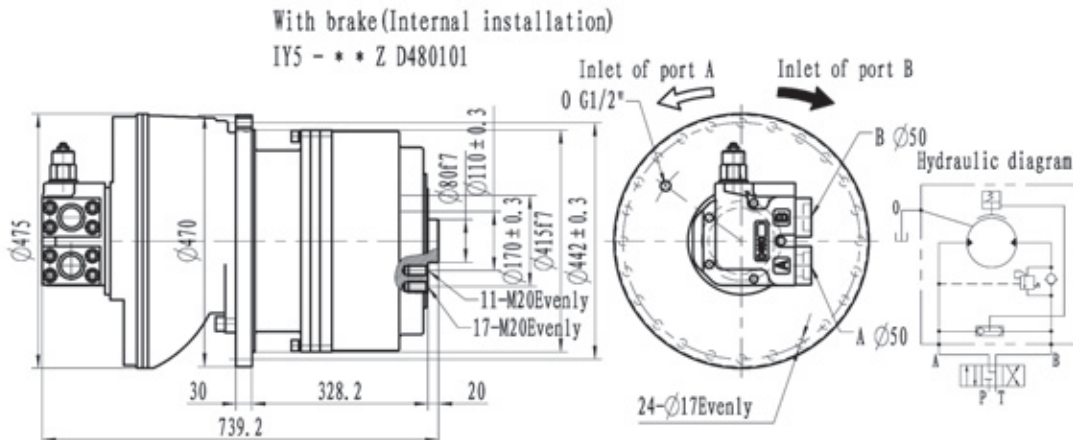
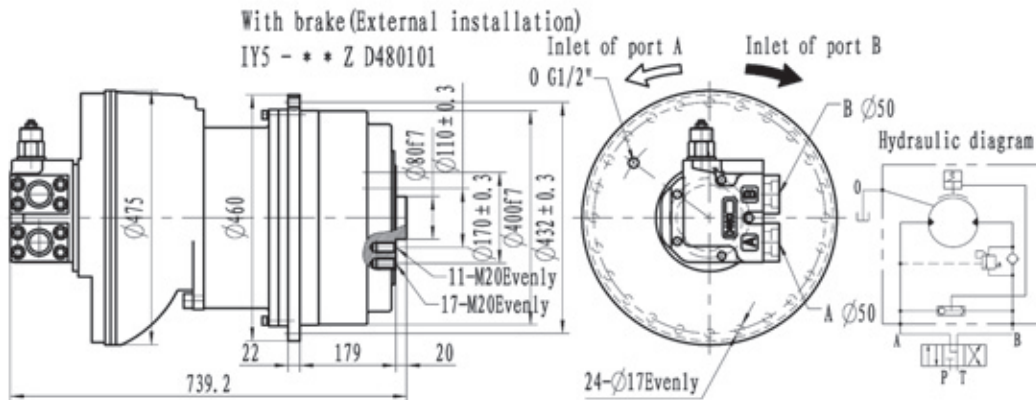
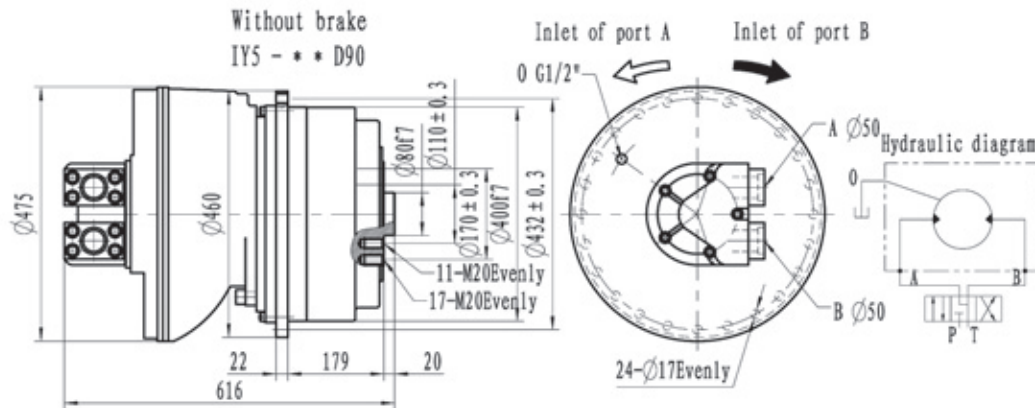
Model	Total displacement (ml/rev)	Rated torque (N.m)		Speed(r/min)	Motor model	Planetary gearbox	Brake	Optional distributor
		16 MPa	20 MPa					
IY5-7200 ***	7154	13675	17698	0.5~40	INM4-900	CS (i=7)	Z55	D240***
IY5-7800 ***	7812	15031	19325	0.5~32	INM4-1100			
IY5-9200 ***	9212	19384	24922	0.5~25	INM4-1300			D480*** D90, D90F480***

Note: Total displacement is determined by hydraulic motor displacement multiplies transmission ratio of planetary gearbox.
 Rated torque is the output torque considering pressures lose of 2MPa and transmission efficiency when the system pressure is 16Mpa or 20Mpa.
 Transmission efficiency includes mechanical and volumetric efficiency of hydraulic motor and mechanical efficiency of planetary gearbox. If the working pressure is higher than 16Mpa, please add a relief valve on the brake.

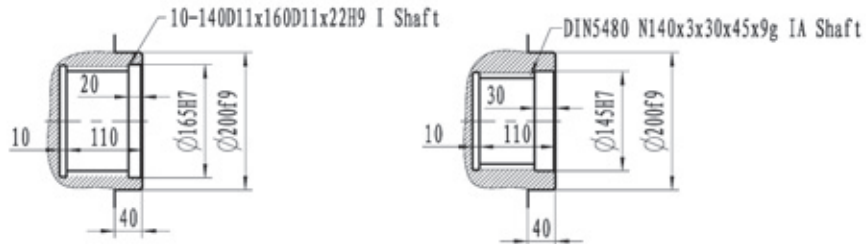
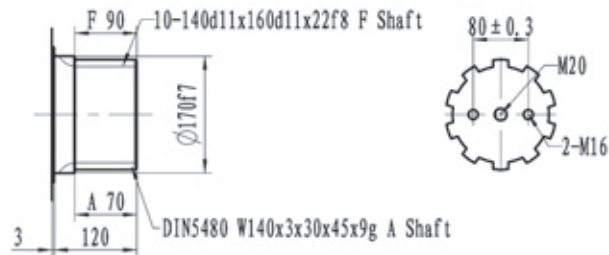
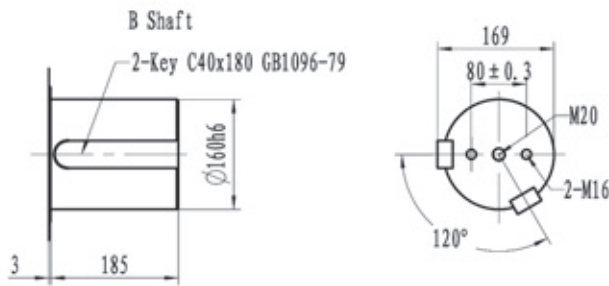


Model	Total displacement (ml/rev)	Rated torque (N.m)		Speed (r/min)	Motor model	Planetary gearbox	Brake	Optional distributor
		16 MPa	20 MPa					
IY5-10000 ***	9988	20029	25752	0.5-20	INMS-1800	CSD (i=5.5)	Z55	D240***
IY5-11000 ***	11038.5	22136	28460	0.5-15	INMS-2000			D480***

Note: Total displacement is determined by hydraulic motor displacement multiplies transmission ratio of planetary gearbox.
 Rated torque is the output torque considering pressures lose of 2MPa and transmission efficiency when the system pressure is 16MPa or 20MPa.
 Transmission efficiency includes mechanical and volumetric efficiency of hydraulic motor and mechanical efficiency of planetary gearbox. If the working pressure is higher than 16MPa, please add a relief valve on the brake.



IY5 Series shaft dimensions:

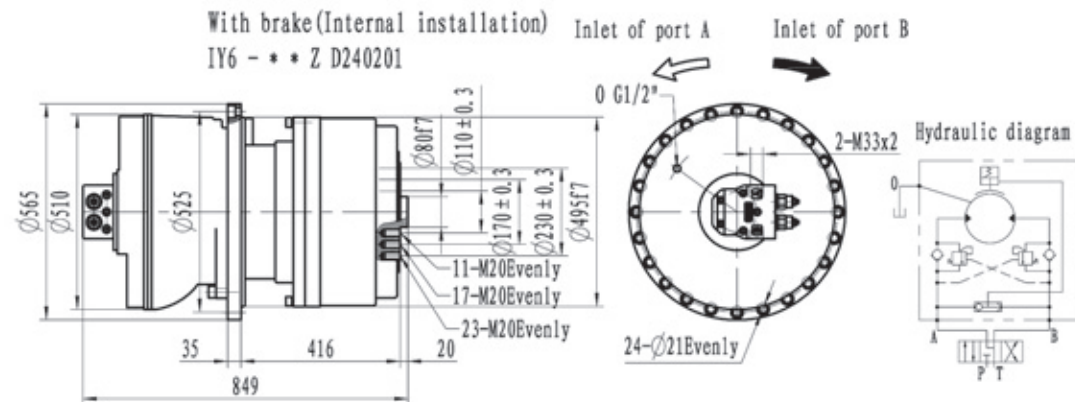
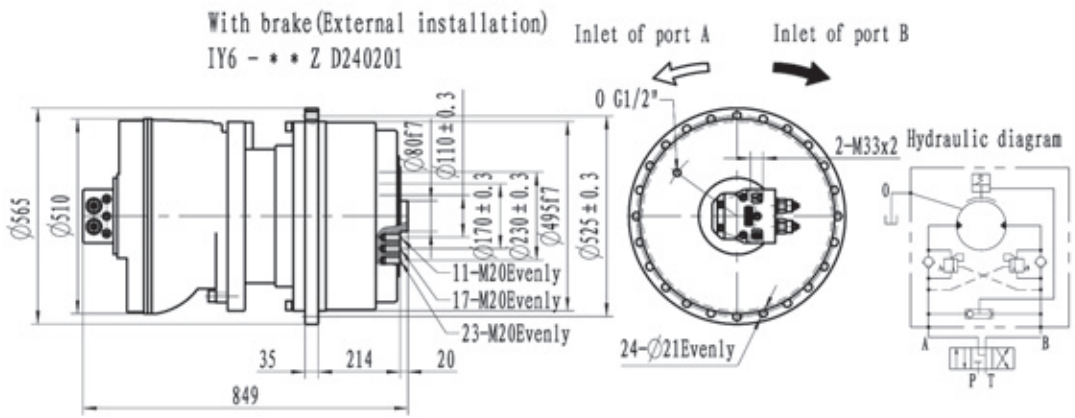
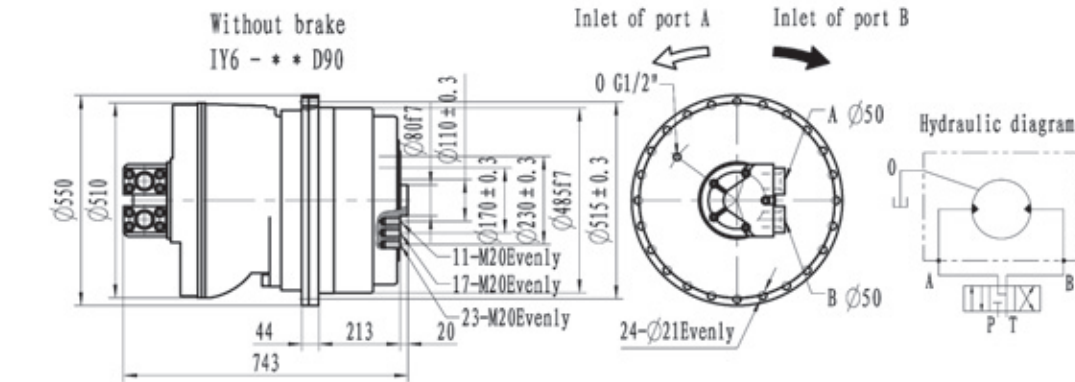


Note: Please contact us if there are any requirements from customer

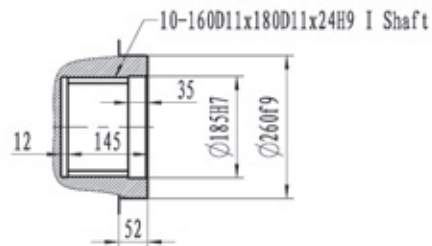
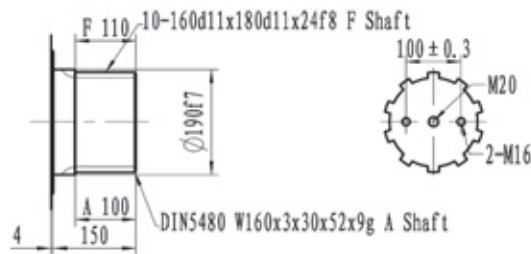
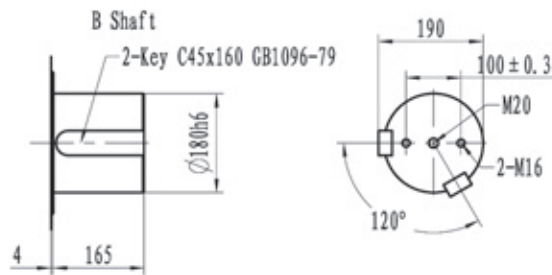
IY6 Hydraulic transmission drives series

Model	Total displacement (ml/rev)	Rated torque (N.m)		Speed(r/min)	Motor model	Planetary gearbox	Brake	Optional distributor
		16 MPa	20 MPa					
IY6-14800 ***	14889	28647	36832	0.5~32	INM6-2100	C6(i=7)	Z66	D90, D480101 D90F480*** D90F720***
IY6-17600 ***	17591	33846	43517	0.5~25	INM6-2500			
IY6-21300 ***	21287	40958	/	0.5~20	INM6-3000			

Note: Total displacement is determined by hydraulic motor displacement multiplies transmission ratio of planetary gearbox.
 Rated torque is the output torque considering pressures lose of 2MPa and transmission efficiency when the system pressure is 16Mpa or 20Mpa.
 Transmission efficiency includes mechanical and volumetric efficiency of hydraulic motor and mechanical efficiency of planetary gearbox. If the working pressure is higher than 16Mpa, please add a relief valve on the brake.



IY6 Series shaft dimensions:

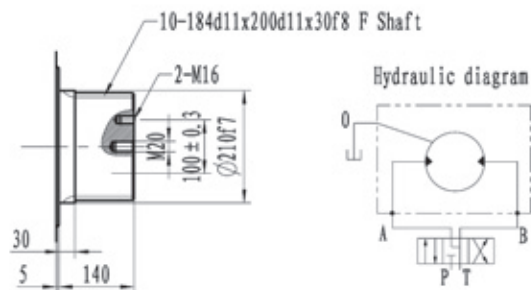
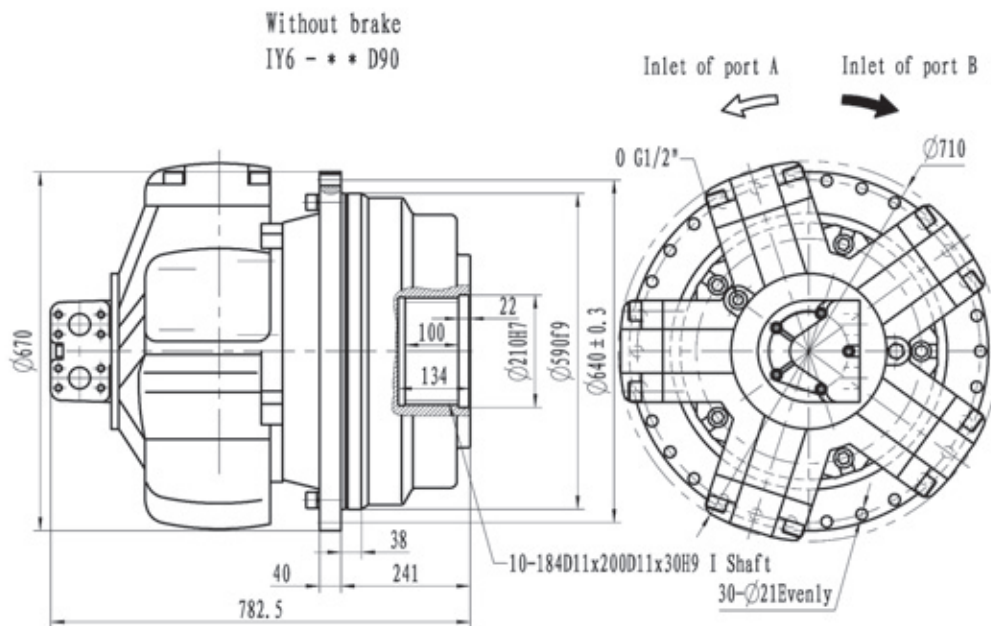


Note: Please contact us if there are any requirements from customer

IY7 Hydraulic transmission drives series

Model	Total displacement (ml/rev)	Rated torque (N.m)		Speed (r/min)	Motor model	Planetary gearbox	Optional distributor
		16 MPa	20 MPa				
IY7-18000 ***	17650	35394	45507	0.5 - 40	IHM31-3500	C7A(i=5)	D90 D250 D240*** D480***
IY7-20000 ***	20060	40227	51720	0.5 - 32	IHM31-4000		
IY7-25000 ***	24940	50013	64303	0.5 - 30	IHM31-5000		
IY7-27500 ***	27434	55014	70733	0.5 - 25	IHM31-5000	C7D(i=5.5)	
IY7-29200 ***	29199.5	56182	72234	0.5 - 20	IHM31-5500		
IY7-33800 ***	33869	65166	83785	0.5 - 16	IHM31-6300		

Note: Total displacement is determined by hydraulic motor displacement multiplies transmission ratio of planetary gearbox.
 Rated torque is the output torque considering pressures lose of 2MPa and transmission efficiency when the system pressure is 16MPa or 20MPa.
 Transmission efficiency includes mechanical and volumetric efficiency of hydraulic motor and mechanical efficiency of planetary gearbox. If the working pressure is higher than 16MPa, please add a relief valve on the brake.

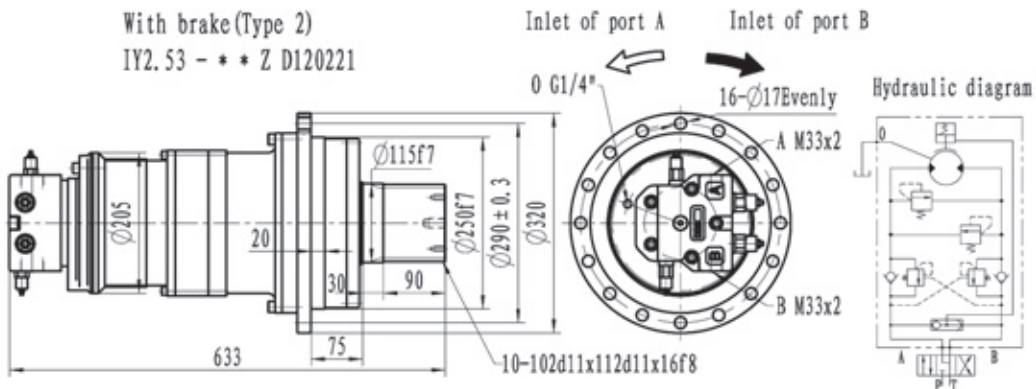
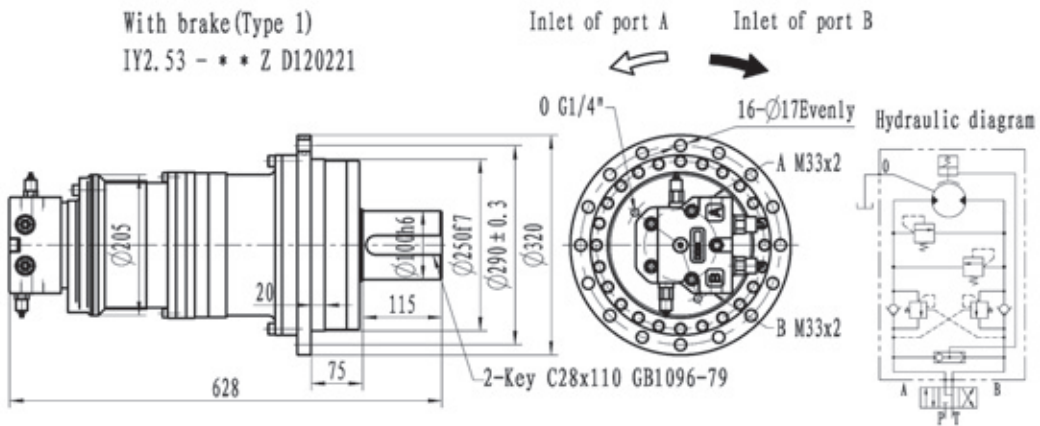
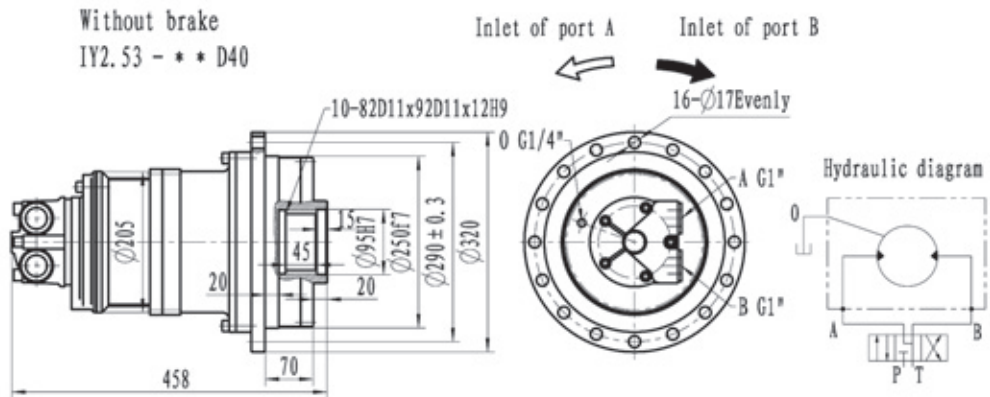


Note: Please contact us if there are any requirements from customer

IY2.53 Hydraulic transmission drives series

Model	Total displacement (ml/rev)	Rated torque (N.m)		Speed (r/min)	Motor model	Planetary gearbox	Brake	Optional distributor
		16 MPa	20 MPa					
IY2.53-2400***	2408	4500	6000	0.25-30	INM05-90	C2.53(i=28)	Z05	D40
IY2.53-3200***	3220	6000	8000	0.25-25	INM05-110			D60***
IY2.53-4200***	4228	8000	/	0.25-20	INM05-150			D120***

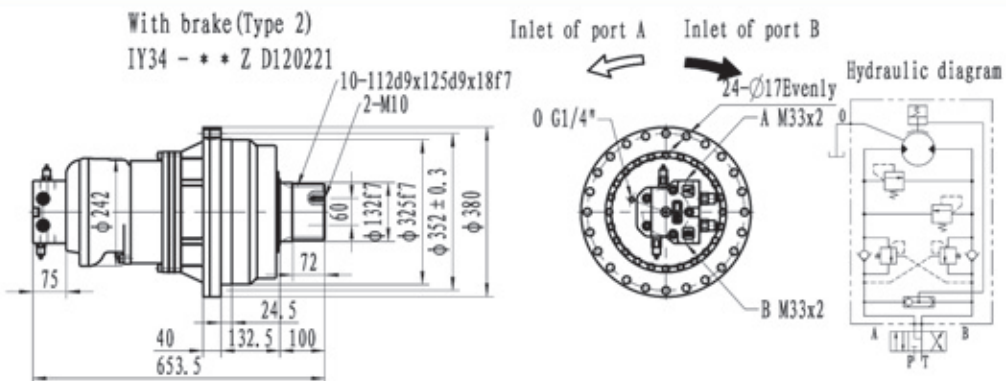
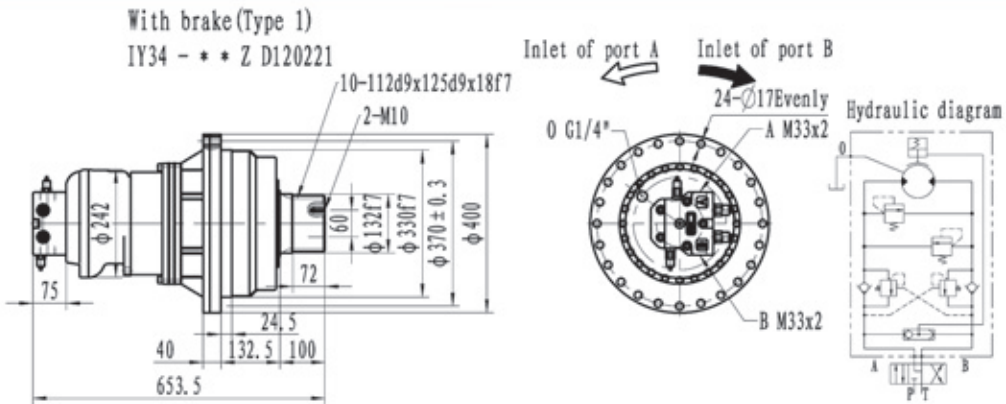
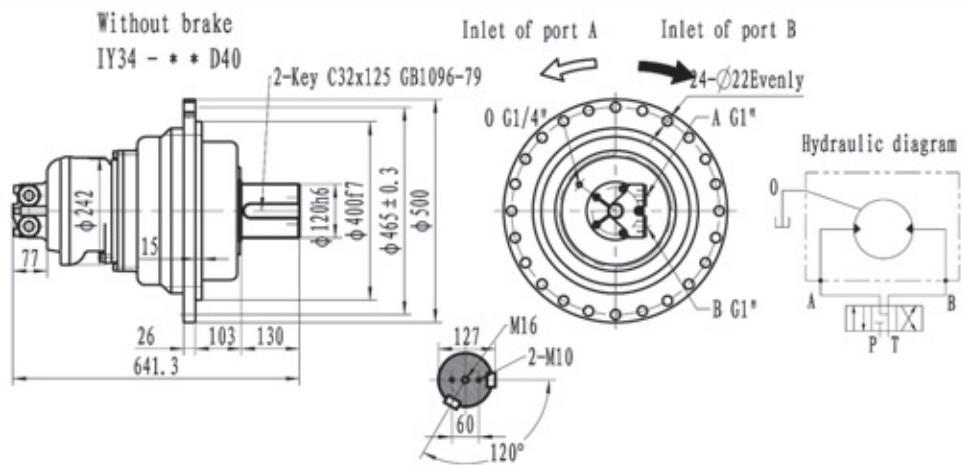
Note: Total displacement is determined by hydraulic motor displacement multiplies transmission ratio of planetary gearbox.
 Rated torque is the output torque considering pressures lose of 2MPa and transmission efficiency when the system pressure is 16Mpa or 20Mpa.
 Transmission efficiency includes mechanical and volumetric efficiency of hydraulic motor and mechanical efficiency of planetary gearbox. If the working pressure is higher than 16Mpa, please add a relief valve on the brake.



IY34 Hydraulic transmission drives series

Model	Total displacement (ml/rev)	Rated torque (N.m)		Speed (r/min)	Motor model	Planetary gearbox	Brake	Optional distributor
		16 MPa	20 MPa					
IY34-4300 ***	4312	8638	11100	0.2-16	INM1-150	C34 (i=28)	Z13	D40 D60*** D120*** D240***
IY34-5600 ***	5628	11275	14500		INM1-200			
IY34-6800 ***	6804	13630	17525	INM1-250				
IY34-8800 ***	8792	17600	/	INM1-320				

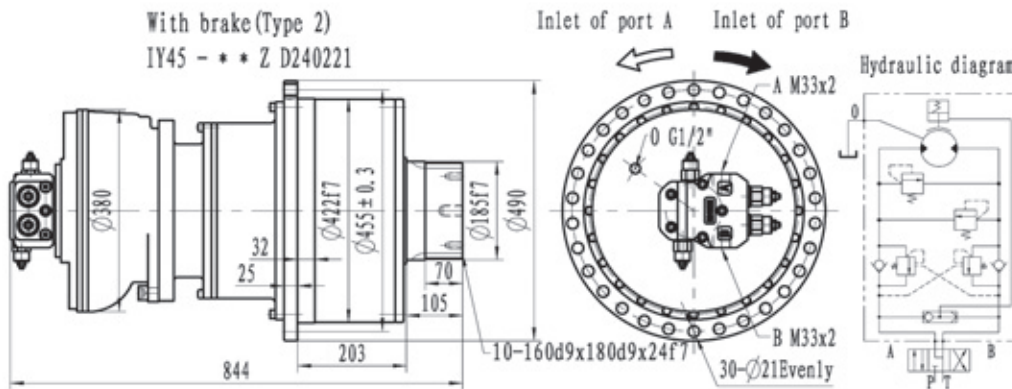
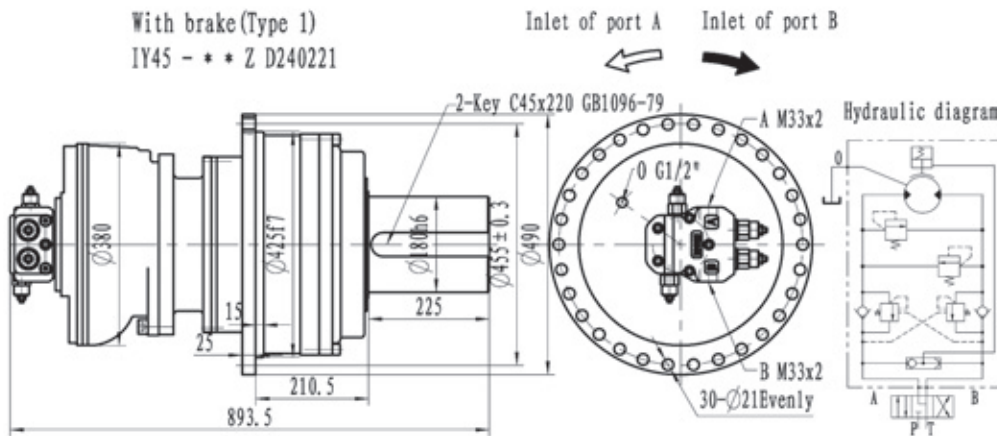
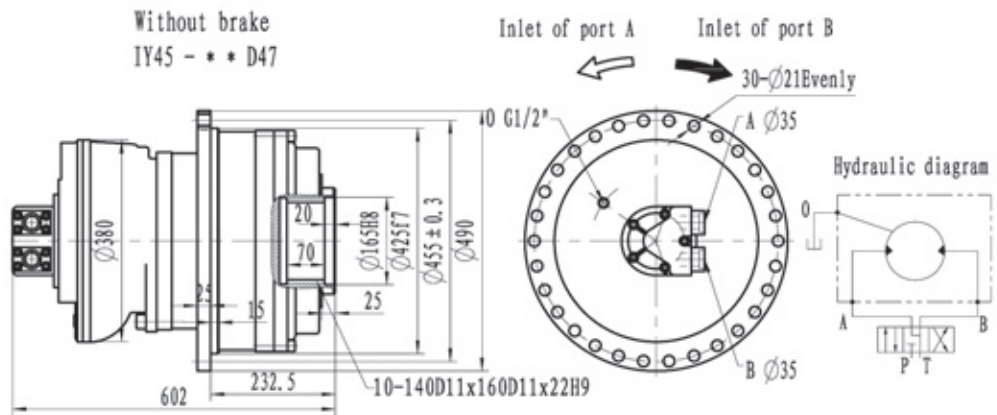
Note: Total displacement is determined by hydraulic motor displacement multiplies transmission ratio of planetary gearbox.
 Rated torque is the output torque considering pressures lose of 2MPa and transmission efficiency when the system pressure is 16MPa or 20MPa.
 Transmission efficiency includes mechanical and volumetric efficiency of hydraulic motor and mechanical efficiency of planetary gearbox. If the working pressure is higher than 16MPa, please add a relief valve on the brake.



IY45 Hydraulic transmission drives series

Model	Total displacement (ml/rev)	Rated torque (N.m)		Speed(r/min)	Motor model	Planetary gearbox	Brake	Optional distributor
		16 MPa	20 MPa					
IY45-11900 ***	11928	23000	29000	0.2-15	INM3-425	C45 (i=28)	234	D47
IY45-13600 ***	13608	25000	33000		INM3-500			
IY45-16600 ***	16660	32000	38000	INM3-600				

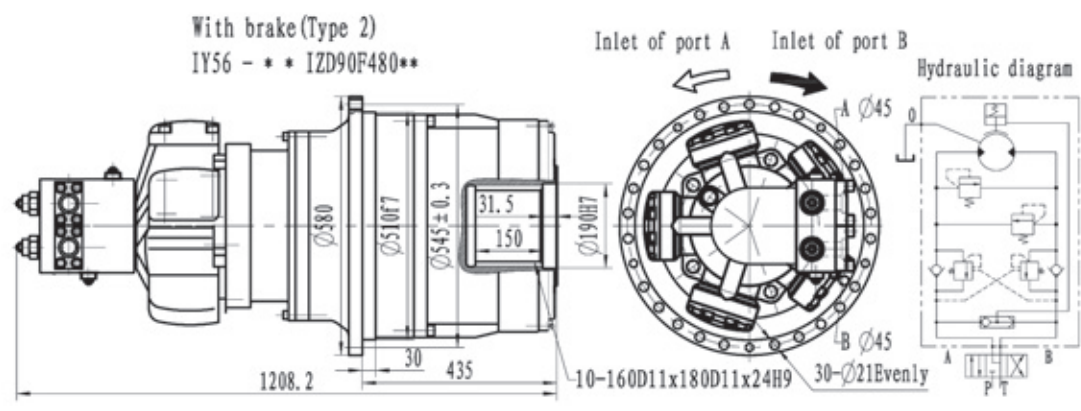
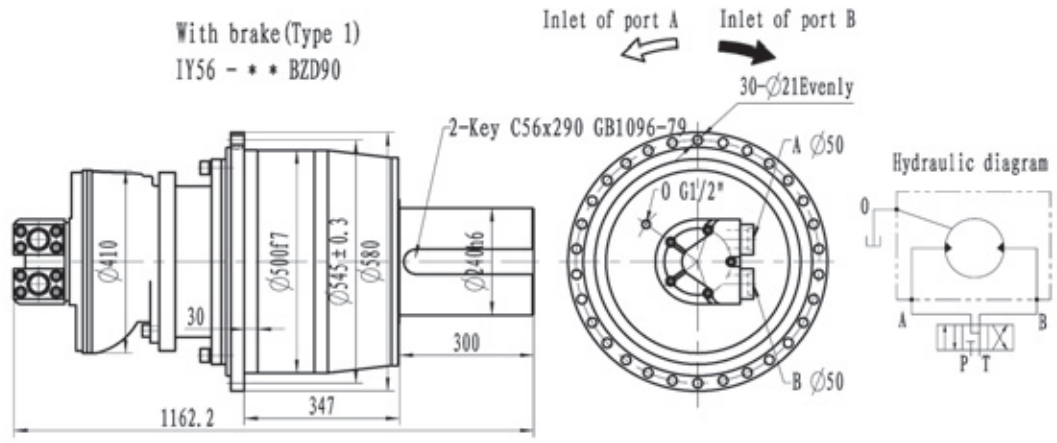
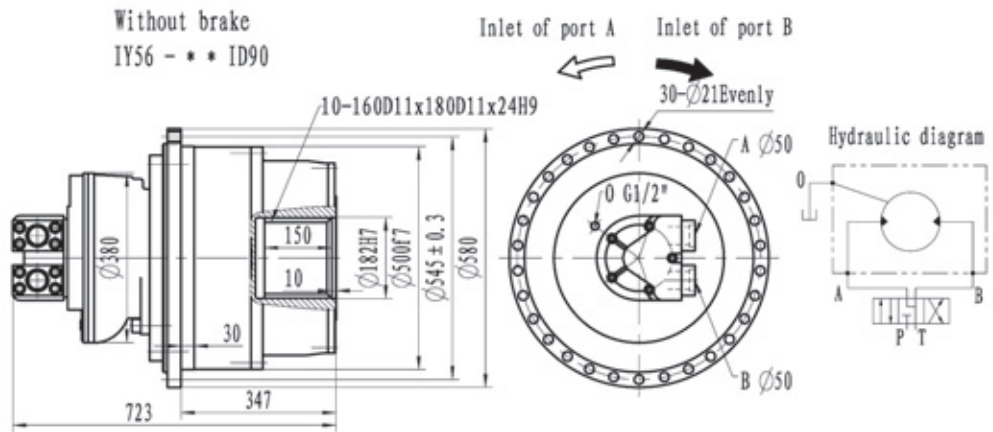
Note: Total displacement is determined by hydraulic motor displacement multiplies transmission ratio of planetary gearbox.
 Rated torque is the output torque considering pressures lose of 2MPa and transmission efficiency when the system pressure is 16MPa or 20MPa.
 Transmission efficiency includes mechanical and volumetric efficiency of hydraulic motor and mechanical efficiency of planetary gearbox. If the working pressure is higher than 16MPa, please add a relief valve on the brake.



IY56 Hydraulic transmission drives series

Model	Total displacement (ml/rev)	Rated torque (N.m)		Speed(r/min)	Motor model	Planetary gearbox	Brake	Optional distributor
		16 MPa	20 MPa					
IY56-24400 ***	24444	46000	60000	0.2~8	INM3-900	C56(i=28)	Z45	D90 D240***
IY56-28600 ***	28616	54000	66000		INM4-1000			
IY56-31200 ***	31248	63000	/		INM4-1100			

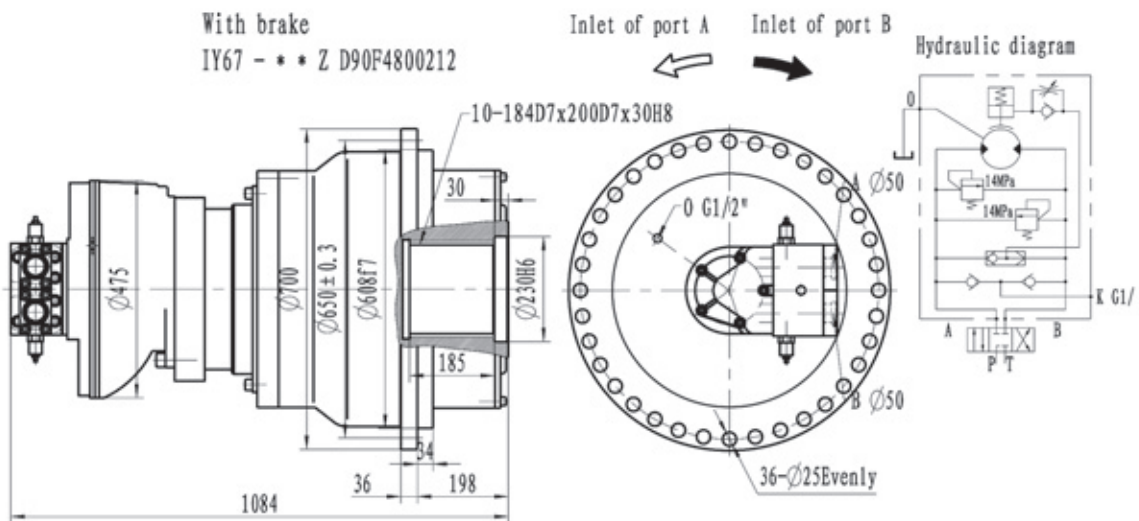
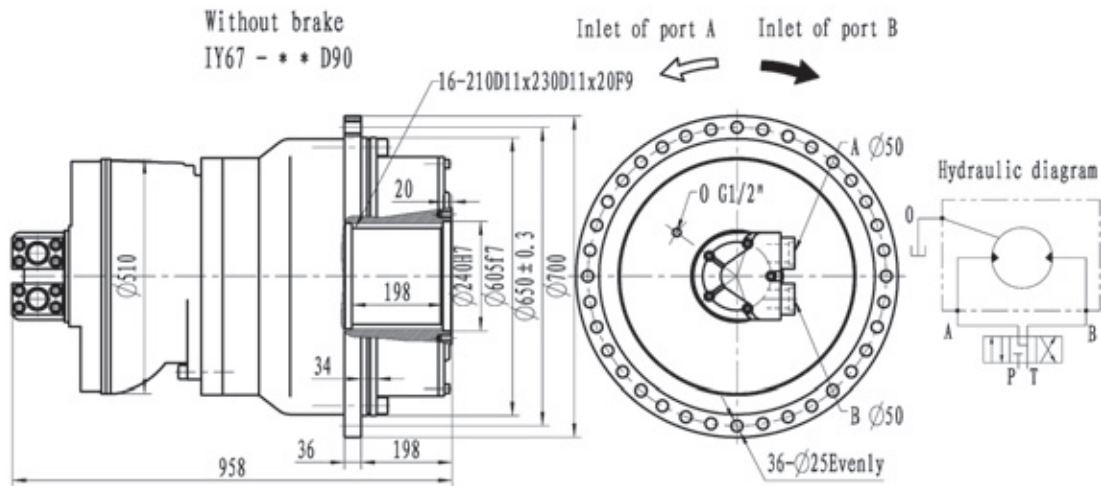
Note: Total displacement is determined by hydraulic motor displacement multiplies transmission ratio of planetary gearbox.
 Rated torque is the output torque considering pressures loss of 2MPa and transmission efficiency when the system pressure is 16Mpa or 20Mpa.
 Transmission efficiency includes mechanical and volumetric efficiency of hydraulic motor and mechanical efficiency of planetary gearbox. If the working pressure is higher than 16Mpa, please add a relief valve on the brake.



IY67 Hydraulic transmission drives series

Model	Total displacement (ml/rev)	Rated torque (N.m)		Speed(r/min)	Motor model	Planetary gearbox	Brake	Optional distributor
		16 MPa	20 MPa					
IY67-36000 ***	35948	65000	80000	0.2-6	INM5-1600	C67 (i=22)	Z56	D90
IY67-40000 ***	39952	75000	90000		INM5-1800			D240***
IY67-46000 ***	46794	90000	/		INM6-2100			D480***

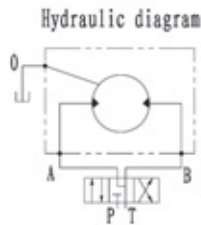
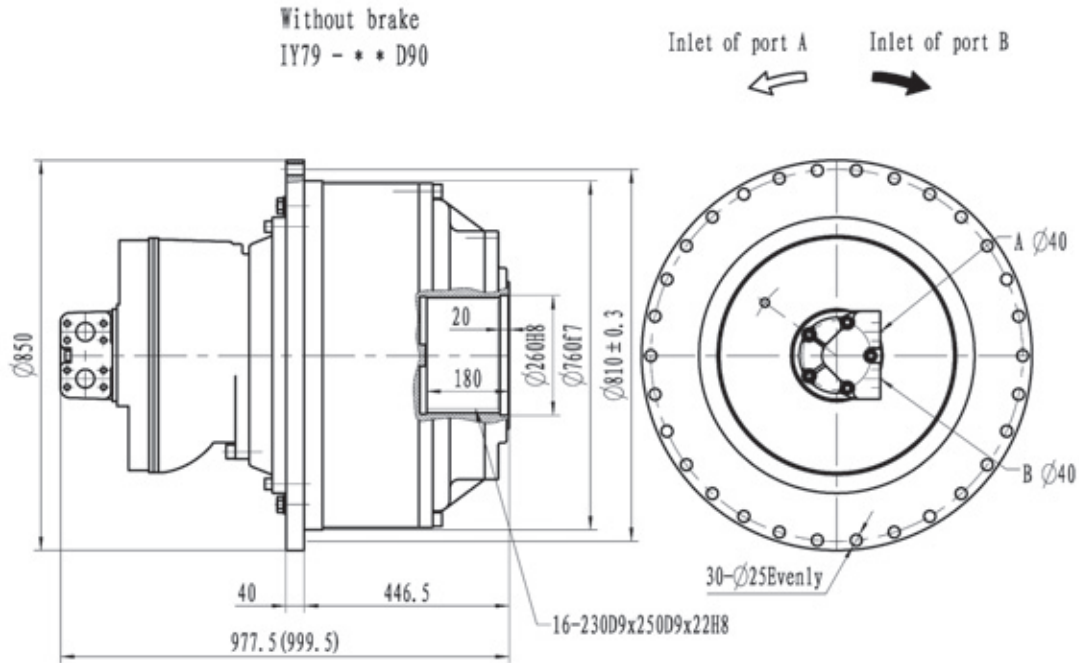
Note: Total displacement is determined by hydraulic motor displacement multiplies transmission ratio of planetary gearbox.
 Rated torque is the output torque considering pressures lose of 2MPa and transmission efficiency when the system pressure is 16MPa or 20MPa.
 Transmission efficiency includes mechanical and volumetric efficiency of hydraulic motor and mechanical efficiency of planetary gearbox. If the working pressure is higher than 16MPa, please add a relief valve on the brake.



IY79系列液压传动装置

Model	Total displacement (ml/rev)	Rated torque (N.m)		Speed (r/min)	Motor model	Planetary gearbox	Optional distributor
		16 MPa	20 MPa				
IY79-55000 ***	55286	110867	142544	0.2~10	INM6-2500	C79 (i=22)	D90
IY79-67000 ***	66902	134162	172494	0.2~8	INM6-3000		D240***
IY79-80000 ***	77660	155735	200231	0.2~5	IHM31-3500		D480***

Note: Total displacement is determined by hydraulic motor displacement multiplies transmission ratio of planetary gearbox.
 Rated torque is the output torque considering pressures lose of 2MPa and transmission efficiency when the system pressure is 16Mpa or 20Mpa.
 Transmission efficiency includes mechanical and volumetric efficiency of hydraulic motor and mechanical efficiency of planetary gearbox. If the working pressure is higher than 16Mpa, please add a relief valve on the brake.



Note: Please contact us if there are any requirements from customer